



CPD20L2

Electric Counterbalance Forklift Truck 2.0T

LI-ION
TECHNOLOGY

- Wider operating space
- Stronger working performance
- Precise driving characteristics

EP EQUIPMENT CO.,LTD
www.ep-ep.com



FEATURE

Wider operating space

The L2 forklift from EP Equipment has the widest legroom in the industry for better ergonomics at high intensity shifts and long working hours. Comfort is at the heart of this 3-wheel forklift.



Stronger working performance

Everything in control due to its dual-joystick operation, the truck offers a high productivity also with attachments like side-shift or fork positioner. They are comfortable to use on long shifts without strain for the operator.



Precise driving characteristics

It is specially designed for lithium battery, which makes it more compact in size and more rigorous in structure. EHPS(Electronic Hydraulic Power Steering) combines advantages of both EPS(Electric Power Steering) and HPS (Hydraulic Power Steering) and it makes steering more smoothly



Electric Counterbalance Forklift Truck 2.0T CPD20L2

Distinguishing mark				
1.1	Manufacturer			EP
1.2	Model designation			CPD20L2
1.3	Drive unit			Electrics
1.4	Operator type			seated
1.5	rated capacity	Q	t	2
1.6	Load center distance	c	mm	500
1.8	Load distance, centre of drive axle to fork	x	mm	419
1.9	Wheelbase	y	mm	1358
Weight				
2.1	Service weight (include battery)		kg	3460
2.2	Axle loading, laden driving wheels /steering wheels		kg	4916/544
2.3	Axle loading, unladen driving wheels /steering wheels		kg	1574/1886
Types, Chassis				
3.1	Tyre type, driving wheels /steering wheels			solid rubber
3.2	Tyre size, driving wheels (diameterxwidth)		mm	200X50-10
3.3	Tyre size, steering wheels (diameterxwidth)		mm	15X4.5-8
3.5	Wheels, number driving/steering (x=drive wheels)		mm	2x/ 2
3.6	Tread, Driving wheels	b10	mm	936
3.7	Tread, Steering wheels	b11	mm	175
Dimensions				
4.1	Tilt of mast/fork carriage forward/backward	α / β (°)		5/6
4.2	Height, mast lowered	h1	mm	2012
4.3	Free lift (load backrest)	h2	mm	50
4.4	Lift height	h3	mm	3000
4.5	Height, mast extended	h4	mm	4058
4.7	Height of overhead guard (cabin)	h6	mm	2118
4.8	Seat height	h7	mm	1070
4.12	Tow center of pin height	h10	mm	560
4.19	Overall length	l1	mm	2915
4.20	Length to face of forks	l2	mm	1995
4.21	Overall width	b1/ b2	mm	1150
4.22	Fork dimensions	s/ e/ l	mm	40x100x1070
4.23	Fork carriage class/type A, B			A
4.24	Fork carriage width	b3	mm	1040
4.31	Ground clearance, laden, below mast	m1	mm	128
4.32	The minimum ground clearance of frame	m2	mm	110
4.34.1	Aisle width for pallets 1000 x 1200 crossways	Ast	mm	3223
4.34.2	Aisle width for pallets 800 x 1200 lengthways	Ast	mm	3359
4.35	Turning radius	Wa	mm	1585
Performance data				
5.1	Travel speed, laden/ unladen		km/ h	15/16
5.2	Lifting speed, laden/ unladen		m/ s	0.35/0.43
5.3	Lowering speed, laden/ unladen		m/ s	0.45/0.37
5.5	Drawbar pull, laden/unladen		N	
5.6	Max. drawbar pull, laden/unladen (time)		N	/
5.7	Gradeability, laden/unladen		%	15/17
5.8	Max. gradeability, laden/unladen		%	
5.9	Service brake type			electromagnetic braking
5.10	park brake type			electromagnetic braking
Electric-engine				
6.1	Drive motor rating S2 60 min		kW	5.4x2
6.2	Lift motor rating at S3 15%		kW	11
6.3	The maximum allowed size battery		mm	/
6.4	Battery voltage/nominal capacity K5		V/ Ah	48/360
6.5	Battery weight		kg	250
Addition data				
8.1	Type of drive unit			AC
10.5	Steering type			Electronic hydraulic assistance
10.7	Sound pressure level at the driver's ear		dB (A)	79

If there are improvements of technical parameters or configurations, no further notice will be given.
The diagram shown may contain non-standard configurations.

Mast Option

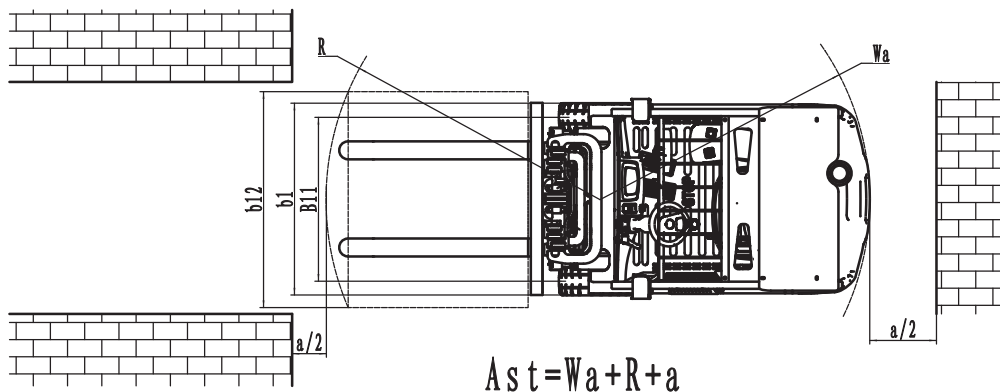
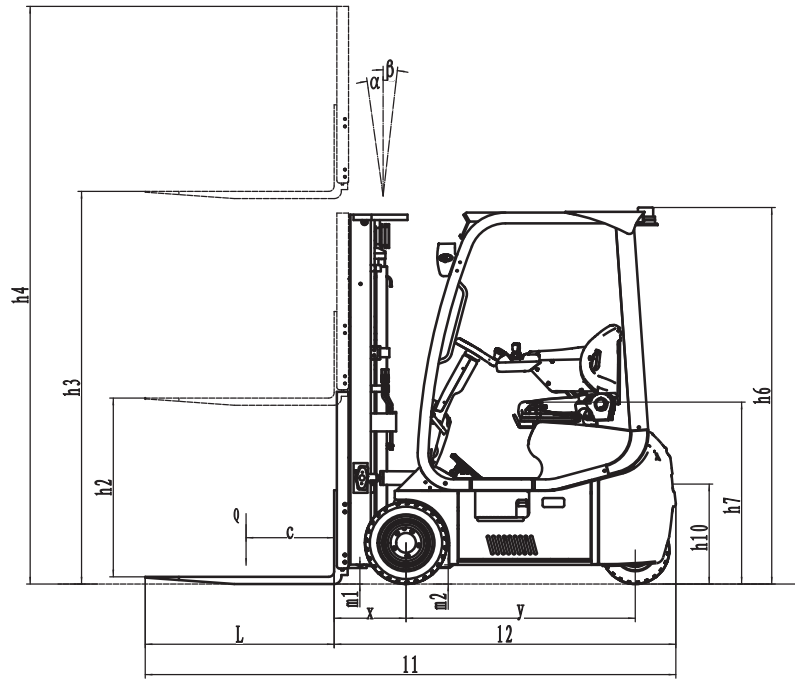
Type	Model	Max.fork height h3	Overall height			Free lift		Front Overhang X	Tilt range		Capacity	
			Lowered h1	Extended		Without backrest	With backrest h2		FWD α	BWD β	Load capacity at 500 mm	
				Without backrest	With backrest						Single tire	kg
				mm	mm						2.0t	
Duplex ZT	2W200	2000	1512	2515	3058	120	120	400	5	5	2000	
	2W250	2500	1762	3015	3558	120	120	400	5	5	2000	
	2W270	2700	1862	3215	3758	120	120	400	5	5	2000	
	2W300	3000	2012	3515	4058	120	120	400	5	5	2000	
	2W330	3300	2162	3815	4358	120	120	400	5	5	2000	
	2W350	3500	2262	4015	4558	120	120	400	5	5	2000	
	2W360	3600	2312	4115	4658	120	120	400	5	5	2000	
	2W400	4000	2565	4515	5058	120	120	400	3	4	1800	
	2W425	4250	2687	4765	5308	120	120	400	3	4	1700	
2W450	4500	2812	5015	5558	120	120	400	3	4	1600		
Duplex ZZ	2F250	2500	1795	3015	3558	1280	737	400	5	5	2000	
	2F270	2700	1895	3215	3758	1380	837	400	5	5	2000	
	2F300	3000	2045	3515	4058	1530	987	400	5	5	2000	
	2F330	3300	2195	3815	4358	1680	1137	400	5	5	2000	
	2F360	3600	2345	4115	4658	1830	1287	400	5	5	2000	
	2F400	4000	2545	4515	5058	2030	1487	400	3	4	1900	
Triplex DZ	3F435	4350	2015	4865	5408	1471	957	400	3	4	1600	
	3F450	4500	2065	5015	5558	1521	1007	400	3	4	1500	
	3F480	4800	2165	5315	5858	1621	1107	400	3	4	1400	
	3F500	5000	2230	5515	6058	1686	1172	400	3	4	1350	
	3F550	5500	2400	6015	6558	1856	1342	400	3	4	1250	
	3F600	6000	2615	6515	7058	2071	1557	400	3	4	1150	

Note:With sideshifter minus 200Kg, with integral sideshifter minus 100Kg.

Option

Optional items	CPD20L2
3 Fork length	○
6 Folding fork	○
7 Weighting system with fork	—
12 Solid rubber tire	●
13 Environmental solid tire	○
15 cold storage	○
19 Battery capacity	○
20 Lateral change battery	—
21 Import battery	—
22 Water auto-filling system	—
30 Side shift	○
37 Overhead guard	—
39 Mast options	○
40 Attachments	○
41 Proportional valve	●
42 Front light	●
43 Back light	○
46 Warning light	●
48 Fire extinguisher	○
49 Seat	○
50 Seat switch	●
51 With fan heater	○
52 With front windshield wiper	○
53 With rear windshield wiper	○
54 Cockpit	○
55 Double front wheel	—
56 Rearview	○
57 OPS system	○
58 Backrest width	○
59 Side to pull the car	○
60 Air fan	—
61 Charging voltage	○
62 Drive-in Rack	○

Note: ● standard ○ option — NA



RATED CAPACITIES AND LOAD CENTERS GRAPH

