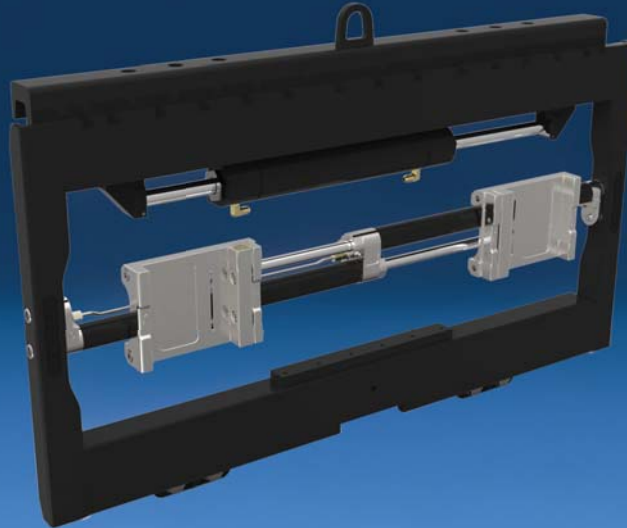


The Fork Positioner for Virtually all your Material Handling Requirements



Excellent operator visibility



Removable fork carrier end allows forks to be easily installed



Fork pockets accommodate various fork widths



No-weld installation



Radio Frequency Hydraulic Control option provides a simple, cost effective means to position the forks

APPLICATIONS

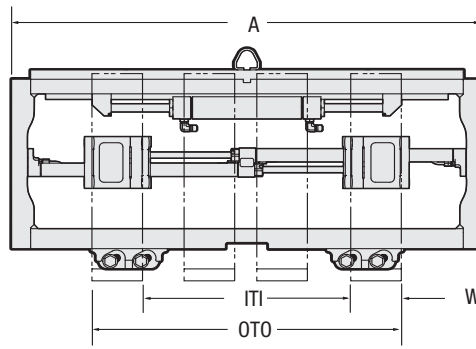
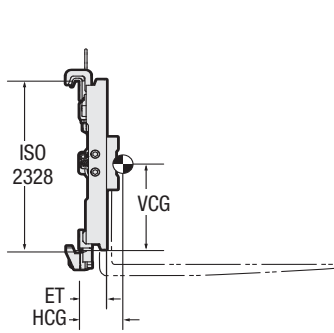
The K-Series Fork Positioners are recommended for warehousing and distribution material handling requirements. These high-visibility fork positioners allow the operator to accurately position the forks from the driver's seat for handling a variety of pallet and load configurations. These new generation fork positioners have excellent load capacity and can handle a variety of challenging applications.

FEATURES

- Cascade load backrest compatibility.
- Excellent operator visibility.
- No-weld installation.
- Zinc plated, corrosion resistant components.
- Centre mount fork carriers:
 - 55K model/100 mm suitable for 80 & 100 mm wide forks.
 - 65K model/125 mm suitable for 100 & 125 mm wide forks.
 - 100K model/165 mm suitable for 125 & 150 mm wide forks.

OPTIONS

- Other size fork carriers to accommodate various fork widths.
- Bolt-on pallet protector/cylinder guard combinations.
- 1200 & 1500 mm high load backrests.
- Bronze bearings.
- Bronze lower hooks.
- Radio Frequency (RF) Hydraulic Control.
- Sequence Valve.
- Non-Sideshifting units available.



Catalogue Order No.	Capacity@ Load Centre	Frame Width (mm)	Opening Range In-to-In (mm)	Opening Range Out-to-Out (mm)	Fork Pocket Width (mm)	Minimum Truck Carriage Width (mm)	Effective Thickness (mm)	Horizontal Centre of Gravity (mm)	Vertical Centre of Gravity (mm)	Total Sideshift Available (mm)	Weight (kg)	Mounting Class
	kg@mm											
55K-FPS-A501	2500@600	800	50-475	250-675	100 ①	735	59	30	228	200	57	2
55K-FPS-A504	2500@600	900	50-575	250-775	100 ①	895	59	30	226	200	61	2
55K-FPS-A506	2500@600	920	50-595	250-795	100 ①	895	59	30	226	200	62	2
55K-FPS-A511	2500@600	980	50-655	250-855	100 ①	895	59	30	226	200	65	2
55K-FPS-A513	2500@600	1020	50-695	250-895	100 ①	895	59	30	226	200	66	2
55K-FPS-A514	2500@600	1040	50-715	250-915	100 ①	895	59	30	226	200	67	2
55K-FPS-A517	2500@600	1100	50-775	250-975	100 ①	975	59	30	226	200	70	2
55K-FPS-A520	2500@600	1150	50-825	250-1025	100 ①	1040	59	30	226	200	72	2
65K-FPS-B517	3500@500	1100	50-725	300-975	125 ②	935	64	31	290	200	86	3
65K-FPS-B522	3500@500	1200	50-825	300-1075	125 ②	1035	64	31	290	200	91	3
65K-FPS-B527	3500@500	1300	50-925	300-1175	125 ②	1035	64	31	290	200	96	3
100K-FPS-B517	5000@500	1100	55-590	415-950	180 ③	935	77	38	305	200	148	3
100K-FPS-B522	5000@500	1200	55-690	415-1050	180 ③	1065	77	38	305	200	157	3
100K-FPS-B527	5000@500	1300	55-790	415-1150	180 ③	1185	77	37	305	200	166	3
100K-FPS-B530	5000@500	1400	55-890	415-1250	180 ③	1185	77	37	305	200	177	3
120K-FPS-C517	5500@600	1100	100-590	460-950	180 ③	1065	80	40	370	200	187	4
120K-FPS-C522	5500@600	1200	100-690	460-1050	180 ③	1065	80	45	370	200	194	4
120K-FPS-C552	5500@600	1550	100-1040	460-1400	180 ③	1294	80	45	375	200	229	4
150K-FPS-C517	7000@600	1100	100-590	460-950	180 ③	1065	80	40	375	200	185	4
150K-FPS-C522	7000@600	1200	100-690	460-1050	180 ③	1168	80	40	380	300	196	4
150K-FPS-C552	7000@600	1550	100-1040	460-1400	180 ③	1220	80	45	350	300	250	4
165K-FPS-C517	7500@600	1100	100-590	460-950	180 ③	1065	80	40	355	200	200	4
165K-FPS-C522	7500@600	1200	100-690	460-1050	180 ③	1168	80	40	355	300	214	4
165K-FPS-C552	7500@600	1550	100-1040	460-1400	180 ③	1400	80	40	360	300	258	4

- ① 55K: Fork pocket is adjustable and can accept 80 mm wide forks. Opening Range add 40 mm to ITI opening range.
- ② 65K: Fork pocket is adjustable and can accept 100 mm wide forks. Opening Range add 50 mm to ITI opening range.
- ③ 100K, 120K, 150K, 165K: Fork pocket is adjustable and can accept 125mm and 150mm wide forks. Opening Range add 110 mm and 60 mm to ITI opening range respectively.

- ▶ Units available with all metric, BSP, or ORFS fittings.
- ▶ **Forks are not included.**
- ▶ Backrest bolt pattern to allow the use of standard OEM backrests.
- ▶ Optional fork pocket widths available, consult Cascade.
- ▶ **In order to ensure that the unit best suited for the application is selected, consult Cascade.**
- ▶ **DO NOT USE TO CLAMP LOADS.**
- ▶ For fork lengths longer than 1500 mm or load centres exceeding 750 mm, consult Cascade.

HYDRAULIC FLOW & PRESSURE

Model	Attachment Operating Pressure (bar)	Flow Min-Rec-Max (lpm)
55K, 65K	240	4-8-12
100K, 120K, 150K, 165K	240	4-16-20

HYDRAULIC FUNCTIONS

Model	Hydraulic Functions	Truck Auxiliary Valves Required
K-Series Sideshifting Fork Positioner	2	2

Cascade (UK) Ltd • 3 Kelbrook Road • Parkhouse Industrial Estate • Openshaw • Manchester M11 2DD • England • Tel. +44 (0) 161 438 4010 • Fax +44-(0)161 438 4055
 Cascade Benelux/Parts Depot • Damsluisweg 56 • PO Box 3009 • 1300 EL Almere, The Netherlands • Tel +31 036 54 92 950 • Fax +31 (0) 36 54 92 974
 Cascade European Headquarters • Cascade Italia S.r.l. • Via Dell'Artigianato 1 • 37030 Vago di Lavagno (VR) • Italy • Tel. +39-045-8989111 • Fax +39-045-8989160

Germany / DE Nicola Esposito, Reg. Mar.