



EPT20-18WA  
EPT20-20WA  
EPT25-WA  
Electric Pallet Truck 1.8/2.0/2.5t

Long-tiller Design Makes Operations Easier and More Convenient;  
Small Turning Radius Requirements, Excellent Performances in Curved Aisles;  
Ideal Choice for Heavy Duty but Short Distance Applications.

EP EQUIPMENT CO.,LTD  
[www.ep-ep.com](http://www.ep-ep.com)



## ▣ FEATURE



### Performance

- The innovative AC system offers strong power, accurate control and excellent performance.
- High strength vertical gearbox provides reliable uptime.
- Low-noise and durable hydraulic unit, high quality cylinder as well as hose ensure the high reliability of hydraulic system.
- AMP connector and durable electric wires greatly reduce malfunctions of components.
- One-time formed fork, box type frame and adjustable linkage extends the life of undercarriage.

### Safety

- Curved design of front chassis avoids pinching point when lifting.
- Curved design of bottom frame ensures proper ground clearance and avoids hurting operator's feet.
- Emergency reverse belly button protects the operator from getting hurt.
- Emergency disconnecter will cut off power source to avoid accident when the truck goes out of control.
- Anti-rolling back brake keeps the truck from skidding down when truck is out of control or travelling on ramp.
- LBR option avoids cargo from falling down.
- Long operation tiller withstands most impacts from crashes.



### Operation

- With the new design of ergonomical tiller head, all buttons can be reached conveniently & comfortably.
- Thanks to the long tiller design, it decreases the steering force greatly which leads to easy operations.
- With its special fork design, it is suitable for all popular pallets.
- Over 180° handle rotation range tiller & compact size ensure small turning radius & excellent maneuverability.
- Creep speed function: when tiller is in near vertical position, the driving speed will decrease automatically, allowing delicate operation in confined space.
- Creep Switch for vertical handle (optional).



### Maintenance

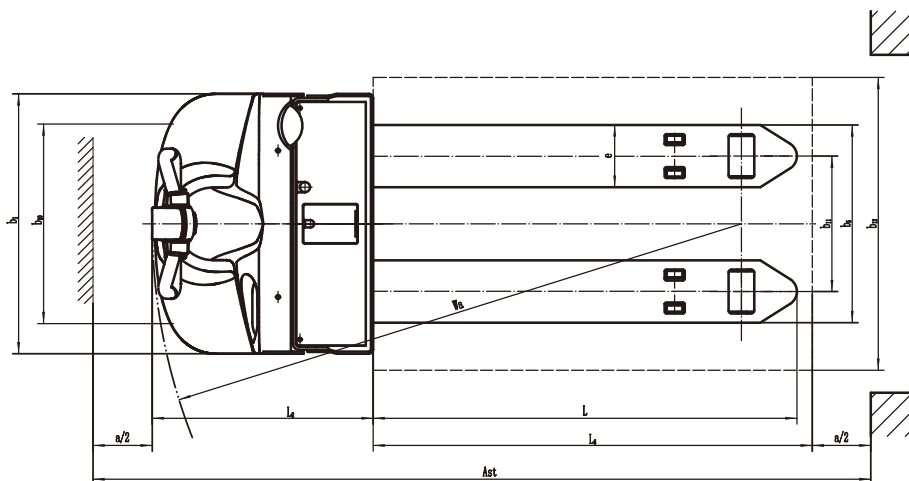
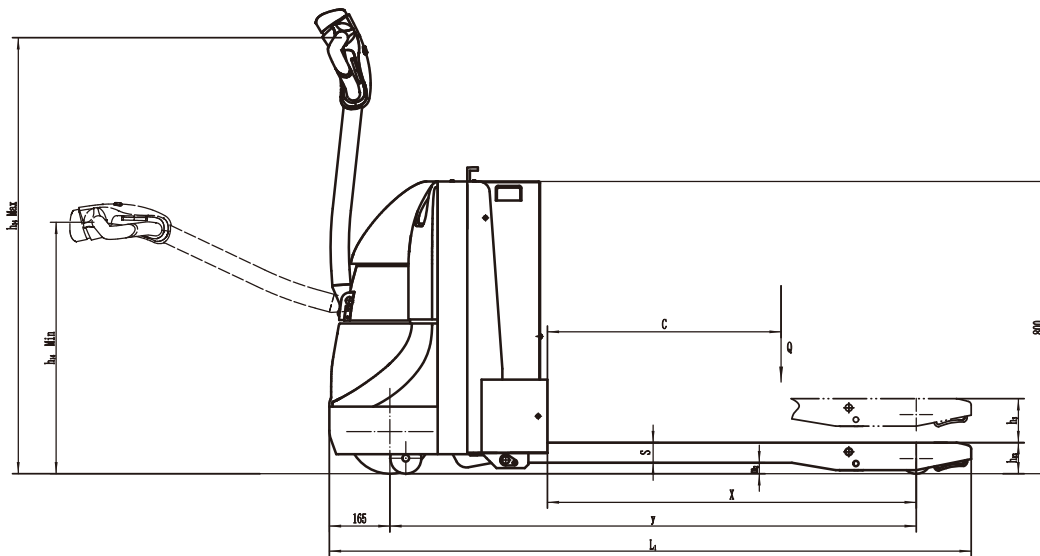
- AC traction motor, maintenance free.
- Hour meter and battery indicator remind the operator of battery charging.
- Easily remove the back cover by only losing two bolts; Access to all key components for inspection, maintenance and replacement.
- Easy access for battery maintenance.
- Vertical motor makes the inspection & service much more convenient.
- Control system allows easy trouble-shooting.
- Low voltage lift cut off design protects batteries.



# Electric Pallet Truck 1.8/2.0/2.5t EPT20-18WA/EPT20-20WA/EPT25-WA

| Distinguishing mark |  |                                 |      |                 |                 |                            |                 |                           |
|---------------------|--|---------------------------------|------|-----------------|-----------------|----------------------------|-----------------|---------------------------|
| 1.1                 | Manufacturer   |                                 |      | EP              |                 | EP                         |                 | EP                        |
| 1.2                 | Model designation  |                                 |      | EPT20-18WA      |                 | EPT20-20WA                 |                 | EPT25-WA                  |
| 1.3                 | Drive unit   |                                 |      | Electric        |                 | Electric                   |                 | Electric                  |
| 1.4                 | Type of operation  |                                 |      | pedestrian      |                 | pedestrian                 |                 | pedestrian                |
| 1.5                 | Rated capacity   | Q                               | kg   | 1800            |                 | 2000                       |                 | 2500                      |
| 1.6                 | Load center distance                                     | c                               | mm   | 600             |                 | 600                        |                 | 600                       |
| 1.7                 | Load distance  | x                               | mm   | 940             | 916 / 982       | 937 / 1003                 | 916 / 982       | 937 / 1003                |
| 1.9                 | Wheelbase  | y                               | mm   | 1368            | 1418            | 1488                       | 1418            | 1488                      |
| Weight              |  |                                 |      |                 |                 |                            |                 |                           |
| 2.1                 | Service weight (include battery)                         |                                 | kg   | 445             |                 | 535                        |                 | 565                       |
| 2.2                 | Axle loading, laden driving side/loading side            |                                 | kg   | 745 / 1500      |                 | 955 / 1580                 |                 | 1070 / 1995               |
| 2.3                 | Axle loading, unladen driving side/loading side          |                                 | kg   | 345 / 100       |                 | 430 / 105                  |                 | 445 / 120                 |
| Types,Chassis       |  |                                 |      |                 |                 |                            |                 |                           |
| 3.1                 | Tyre type driving wheels/loading wheels                  |                                 |      |                 |                 | polyurethane/ polyurethane |                 |                           |
| 3.2                 | Tyre size, driving wheels (diameter×width)               |                                 | mm   | Φ230x75         |                 | Φ230x75                    |                 | Φ230x75                   |
| 3.3                 | Tyre size, loading wheels (diameter×width)               |                                 | mm   | Φ80x60          |                 | Φ85x70 / Φ83x115           |                 | Φ85x70 / Φ83x115          |
| 3.4                 | Tyre size, caster wheels (diameter×width)                |                                 | mm   | Φ85x48          |                 | Φ85x48                     |                 | Φ85x48                    |
| 3.5                 | Wheels, number driving / caster/loading (x=drive wheels) |                                 | mm   | 1 x + 2 / 4     |                 | 1 x + 2 / 4 / 1 x + 2 / 2  |                 | 1 x + 2 / 4 / 1 x + 2 / 2 |
| 3.6                 | Track width, front,driving side                          | b <sub>10</sub>                 | mm   | 498             |                 | 498                        |                 | 498                       |
| 3.7                 | Track width,rear,loading side                            | b <sub>11</sub>                 | mm   | 390 / 450 / 535 |                 | 370 / 430 / 515            |                 | 370 / 430 / 515           |
| Dimensions          |  |                                 |      |                 |                 |                            |                 |                           |
| 4.4                 | Lift height  | h <sub>3</sub>                  | mm   | 120             |                 | 120                        |                 | 120                       |
| 4.9                 | Height drawbar in driving position min./max.             | h <sub>14</sub>                 | mm   | 715 / 1200      |                 | 715 / 1200                 |                 | 715 / 1200                |
| 4.15                | Lowered height   | h <sub>13</sub>                 | mm   | 85              |                 | 85                         |                 | 85                        |
| 4.19                | Overall length   | l <sub>1</sub>                  | mm   | 1735            | 1748            | 1818                       | 1748            | 1818                      |
| 4.20                | Length to face of forks                                  | l <sub>2</sub>                  | mm   | 585             |                 | 598                        |                 | 598                       |
| 4.21                | Overall width  | b <sub>1</sub> / b <sub>2</sub> | mm   | 710             |                 | 710                        |                 | 710                       |
| 4.22                | Fork dimensions  | s/ e/ l                         | mm   | 50 x 150 x 1150 | 55 x 170 x 1150 | 55x170x1220                | 55 x 170 x 1150 | 55x170x1220               |
| 4.25                | Distance between fork-arms                               | b <sub>5</sub>                  | mm   | 540 / 600 / 685 |                 | 540 / 600 / 685            |                 | 540 / 600 / 685           |
| 4.32                | Ground clearance, center of wheelbase                    | m <sub>2</sub>                  | mm   | 35              |                 | 30                         |                 | 30                        |
| 4.34.1              | Aisle width for pallets 1000 × 1200 crossways            | Ast                             | mm   | 1820            |                 | 1815                       |                 | 1815                      |
| 4.34.2              | Aisle width for pallets 800 × 1200 lengthways            | Ast                             | mm   | 2020            |                 | 2015                       |                 | 2015                      |
| 4.35                | Turning radius   | Wa                              | mm   | 1560            |                 | 1595                       |                 | 1595                      |
| Performance data    |  |                                 |      |                 |                 |                            |                 |                           |
| 5.1                 | Travel speed, laden/ unladen                             | km/ h                           | km/h | 5.5 / 6.0       |                 | 5 / 5.5                    |                 | 5 / 5.5                   |
| 5.2                 | Lifting speed, laden/ unladen                            |                                 | m/ s | 0.051 / 0.060   |                 | 0.051 / 0.060              |                 | 0.051 / 0.060             |
| 5.3                 | Lowering speed, laden/ unladen                           |                                 | m/ s | 0.032 / 0.039   |                 | 0.032 / 0.039              |                 | 0.032 / 0.039             |
| 5.8                 | Max. gradeability, laden/unladen                         |                                 |      | 6 / 16          |                 | 8 / 16                     |                 | 6 / 16                    |
| 5.10                | Service brake type                                       |                                 |      | Electromagnetic |                 | Electromagnetic            |                 | Electromagnetic           |
| Electric-engine     |  |                                 |      |                 |                 |                            |                 |                           |
| 6.1                 | Drive motor rating S2 60 min                             |                                 | kW   | 1.1             |                 | 1.1                        |                 | 1.1                       |
| 6.2                 | Lift motor rating at S3 15%                              |                                 | kW   | 0.84            |                 | 0.84                       |                 | 0.84                      |
| 6.3                 | The maximum allowed size battery                         |                                 | mm   | 670 x 180 x 570 |                 | 680 x 205 x 600            |                 | 680 x 205 x 600           |
| 6.4                 | Battery voltage/nominal capacity K5                      |                                 | V/Ah | 24 / 110        |                 | 24 / 210                   |                 | 24 / 240                  |
| 6.5                 | Battery weight   |                                 | kg   | 120             |                 | 190                        |                 | 220                       |
| Addition data       |  |                                 |      |                 |                 |                            |                 |                           |
| 8.1                 | Type of drive control                                    |                                 |      | AC              |                 | AC                         |                 | AC                        |
| 10.5                | Steering type  |                                 |      | Mechanical      |                 | Mechanical                 |                 | Mechanical                |
| 10.7                | Sound pressure level at the driver's ear                 |                                 |      | 74              |                 | 74                         |                 | 74                        |

1.The parameters in the table are of the standard model. For more information, please contact us.  
2.The parameters are subject to change without notice.



## Option

| Options                              | EPT20-18WA             | EPT20-20WA                                 | EPT25-WA                                   |
|--------------------------------------|------------------------|--|--|
| Fork length                          | ●850/1000/1300/1450 mm | ● 850/1000/1300/1450/1600/1800/2000/2400mm | ● 850/1000/1300/1450/1600/1800/2000/2400mm |
| Fork spread                          | —                      | ●460/790/840mm                             | ●460/790/840mm                             |
| Fork lowered height                  | ●78mm                  | —  | —  |
| Driving wheel                        | ●PU                    | ●PU  | ●PU  |
| high capacity battery                | ●150AH                 | ●165AH/240AH                               | ●165AH/210AH                               |
| lateral battery change               | —                      | ●165/210AH/240AH                           | ●165/210AH/240AH                           |
| Cold storage                         | ●                      | ●  | ●  |
| battery indicator without hour meter | ●                      | ●  | ●  |
| water auto-filling system            | ●                      | ●  | ●  |
| Vertical handler working             | ●                      | ●  | ●  |
| half speed function in turning       | ●                      | ●  | ●  |
| Special backrest                     | —                      | ●1220mm (48in)/1520mm (60in)               | ●1220mm (48in)/1520mm (60in)               |